

UL 924 Auxiliary Lighting and Power

General

Typically, emergency lighting inverters are listed as “UL 924 Emergency Lighting Equipment” with full load battery backup time of 90 minutes. However, with additional UL certification,

inverter systems can also be listed as “**UL 924 Auxiliary Lighting and Power Equipment**” with alternative battery run times, including a full load run time as short as 15 minutes. When using a

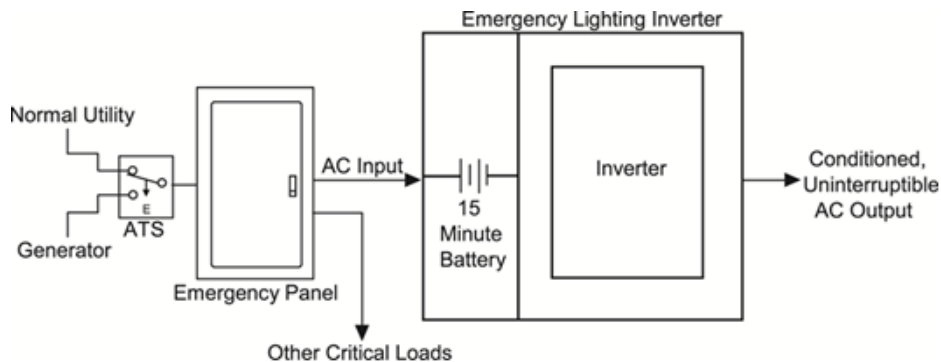
centralized battery backup system for *emergency egress lighting*, it must have the proper UL listing(s) per local lighting codes.

Single & Three Phase Emergency Lighting Inverters

Our “[FastLITE Model FST](#)”, “UltraLITE Models [ELC](#) and [ELU](#)”, “eLITE Models [ELN](#) and [ELE](#)”, “[EON Model EL3](#)”, and “[TrueLITE Model ELS](#)” centralized emergency lighting inverters are listed to both UL 924 standards: Emergency Lighting Equipment (for 90 minutes battery runtime), as well as Auxiliary Lighting and Power Equipment (for alternative battery runtimes). Per the

diagram below, each of these (6) inverter models provide the perfect complement to generator-based emergency egress lighting. Typically, power to the emergency panel is supplied by utility or generator via a transfer switch, and then the inverter is fed from the emergency panel. Our inverter models will provide uninterrupted, no-break power to sensitive

electronic lighting loads. Critical, always-on lighting circuits will remain illuminated, and the generator synchronization delay (up to 10 seconds) is eliminated. Additionally, our Models FST, ELC, ELU, ELE, and EON each maintain all self-testing and data-logging features required by NFPA 101.



Summary

A centralized battery backup system used for emergency egress lighting must have the proper UL listing(s) per

local lighting codes and desired runtimes. Controlled Power Company inverters are listed to both

UL 924 standards, and are generator-compatible as Auxiliary Lighting and Power Equipment.